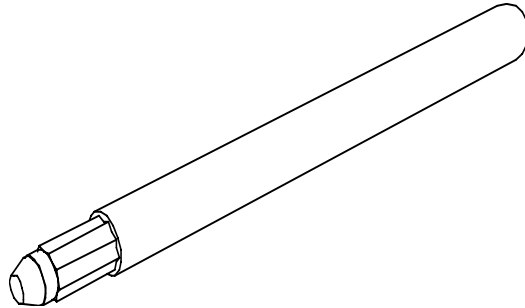




Press Fit Key Pin



Part Name:	Press Fit Key Pin
Part #:	KEY94X1067-A
Certifications:	Meets requirements of RoHS Directive 2002/95/EC
Flammability: Rating	Non Flammable
UL94 Rating:	NA
Mass:	1.1 grams
Oxygen Index:	NA
Polymer %:	NA
Material:	303 Stainless Steel