

NOTES:

1. PURCHASE FROM: W.T. STOREY INC.

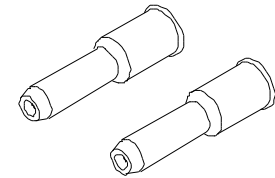
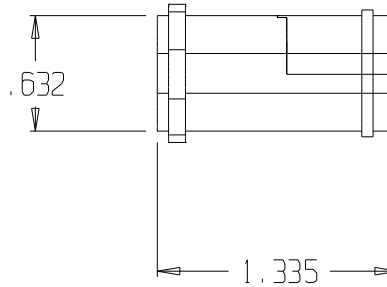
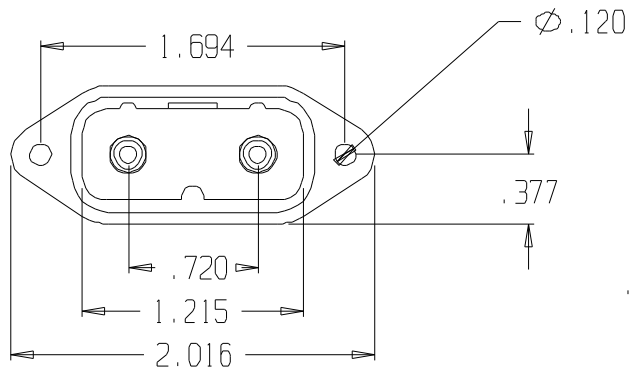
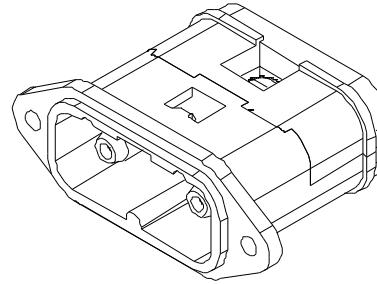
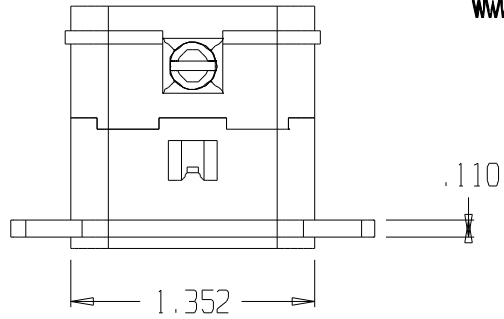
HICKORY CORNERS ROAD PO BOX 1000

DALMATIA, PA 17017-1000

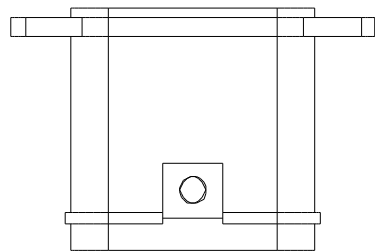
(570)-758-2000

www.wtstorey.com

UL RECOGNIZED PLUG
POLARIZED FOR 48 VOLT
AND 45 AMP CONTACTS FOR 8 GA WIRE ON
INFORMATION TECHNOLOGY
EQUIPMENT



CONTACT CAT NO BP8



CAD FILE NO: 2000100964

UNLESS OTHERWISE SPECIFIED DIMENSIONS
ARE IN INCHES. (MM) TOLERANCES ARE
FRACTIONS DECIMALS ANGLES



W. T. STOREY INC.
DALMATIA, PA.

REVISIONS			
REV	DESCRIPTION	DATE	APPROVED
A	ADDED NOTE 1 (CONTACT INFO)	7-25-2005	BEP

00	+0.25	[.00] ± .01
00D	+0.127	[.000] ± .005
		[.0000] ± .0005
MATERIAL	HEAT TREAT	
LEXAN 94D		
PART NO.	48PP45	
DWG. NO.	2000100964	
00 NOT SCALE DRAWING		

PART NAME: PANEL MOUNT PLUG	
SCALE: J-1	SIZE: A
DRAWN BY: D.J.G.	
DATE: 10-16-2000	ISSUE 2
© 2005	FILE/LAYOUT: ---