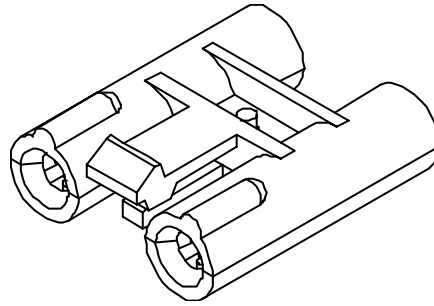




W.T. STOREY INC.

UL Recognized Receptacle Polarized for -48 Volts



| | |
|-------------------------|---|
| Part #: | KS21103L8 |
| Certifications: | UL Recognized Receptacle Meets requirements of RoHS Directive 2002/95/EC |
| Flammability: Rating | UL 94V0 |
| Mass: | 16.4 grams |
| Oxygen Index: | 35 % |
| Polymer %: | 58.6% |
| Housing: | Lexan® 940 (polycarbonate) |
| Contacts: | Tin Plated Copper with Stainless Steel Springs |
| Fastener: | Zinc Plated Steel |