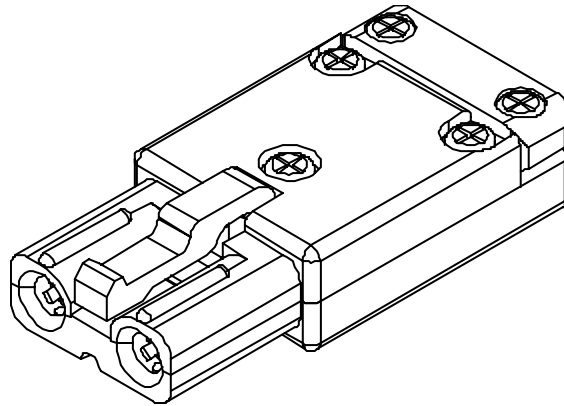




**UL Listed Receptacle Polarized for 48 Volts and 45 Amp Contacts for
Use on Information Technology Equipment**



Part #:	48CA45USL, 48CA45L, 48CA45OSL
Certifications:	UL Listed Receptacle Meets requirements of RoHS Directive 2002/95/EC
Flammability: Rating	UL 94V0
Mass:	35.7 grams
Oxygen Index:	35 %
Polymer %:	69.8%
Housing:	Lexan® 940 (polycarbonate)
Contacts:	Tin Plated Copper with Stainless Steel Springs
Fasteners:	Zinc Plated Steel