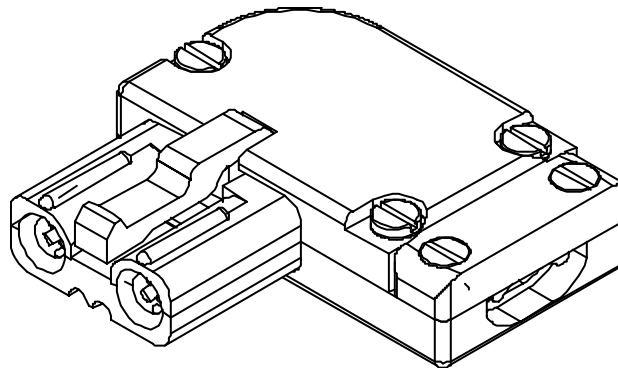




UL Listed Receptacle Polarized for 48 Volts and 30 Amp Contacts for Use on Information Technology Equipment



Part #:	48CA30LR, 48CA30OSLR, 48CA30OOSLR
Certifications:	UL Listed Receptacle Meets requirements of RoHS Directive 2002/95/EC
Flammability: Rating	UL 94V0
Mass:	40.3 grams
Oxygen Index:	35 %
Polymer %:	73.2%
Housing:	Lexan® 940 (polycarbonate)
Contacts:	Tin Plated Copper with Stainless Steel Springs
Fasteners:	Zinc Plated Steel