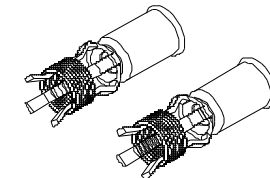
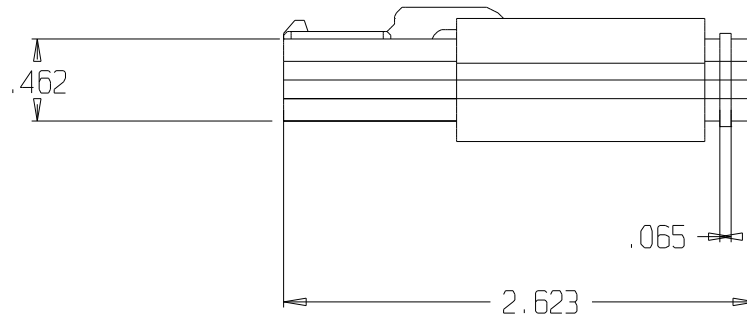
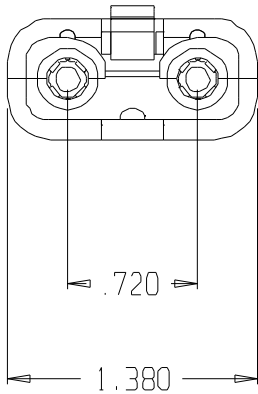
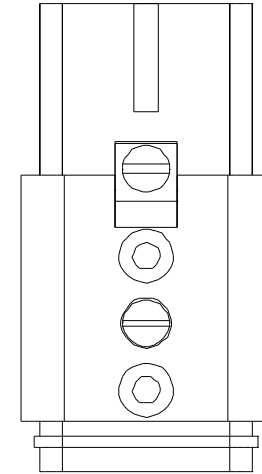
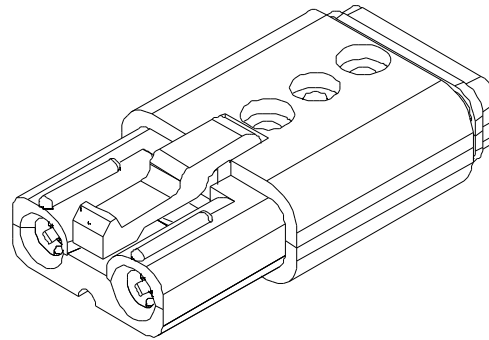
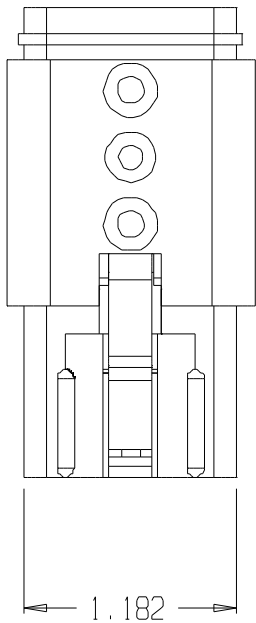


UL RECOGNIZED RECEPTACLE  
 POLARIZED FOR 48 VOLT AND  
 45 AMP CONTACTS FOR 8 GA WIRE  
 FOR USE ON INFORMATION  
 TECHNOLOGY EQUIPMENT.



CONTACT CAT. NO. BS8

CAD FILE NO: 2000100972

UNLESS OTHERWISE SPECIFIED DIMENSIONS  
 ARE IN INCHES. (MM) TOLERANCES ARE  
 FRACTIONS DECIMALS ANGLES



W. T. STOREY INC.  
 DALMATIA, PA.

REVISIONS			
REV	DESCRIPTION	DATE	APPROVED

00	+0.25	[.00] ± .01
000	+0.127	[.000] ± .005
		[.0000] ± .0005
MATERIAL		HEAT TREAT
LEXAN 94D		
PART NO.	48SC45	
OWG. NO.	2000100972	
DO NOT SCALE DRAWING		

PART NAME:		SURFACE MOUNT CONNECTOR	
SCALE:	1-1	SIZE:	A
DRAWN BY:	D.J.G.		
DATE:	10-09-2000	ISSUE	
© 2000	FILE:		