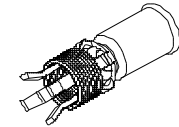
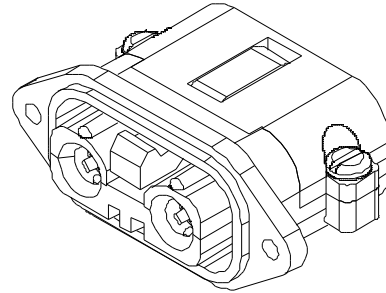
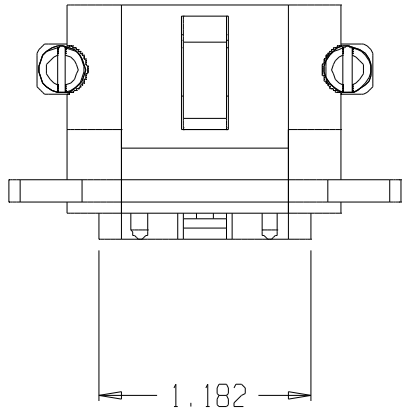
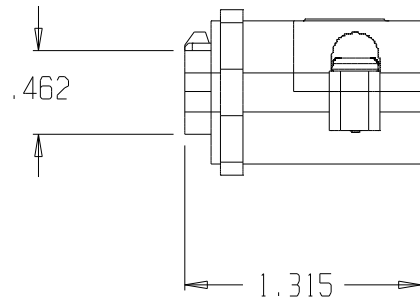
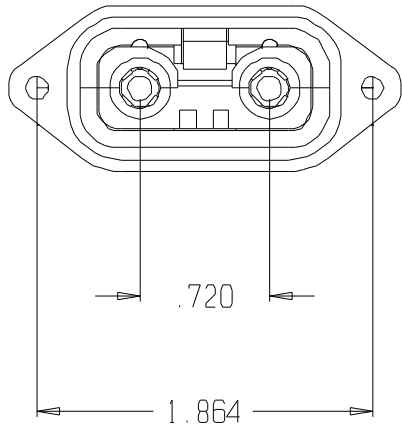


UL RECOGNIZED RECEPTACLE  
 POLARIZED FOR 48 VOLTS AND  
 65 AMPS FOR 6 GA WIRE  
 FOR USE ON INFORMATION  
 TECHNOLOGY EQUIPMENT.



CONTACT CAT NO. BS6



CAD FILE NO: 2000100968

UNLESS OTHERWISE SPECIFIED DIMENSIONS  
 ARE IN INCHES. (MM) TOLERANCES ARE  
 FRACTIONS DECIMALS ANGLES



W. T. STOREY INC.  
 DALMATIA, PA.

REVISIONS				00	+0.25	[.00]	± .01	PART NAME: PANEL MOUNT CONNECTOR
				00D	+0.127	[.000]	± .005	
						[.0000]	+ .0005	
				MATERIAL LEXAN 940 HEAT TREAT				DRAWN BY: D.J.G.
				PART NO. 48PC65				DATE: 11-27-2000
				DWG. NO. 2000100968				ISSUE
REV	DESCRIPTION	DATE	APPROVED	00 NOT SCALE DRAWING				FILE: Ⓢ 2000