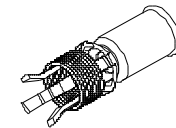
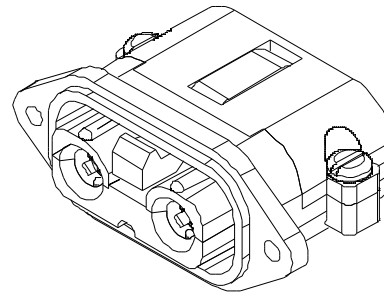
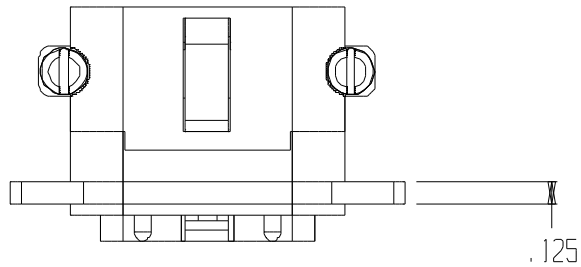
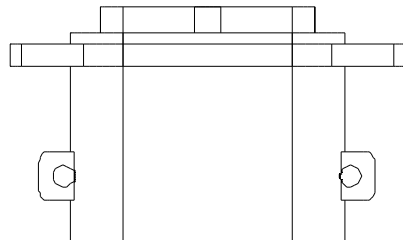
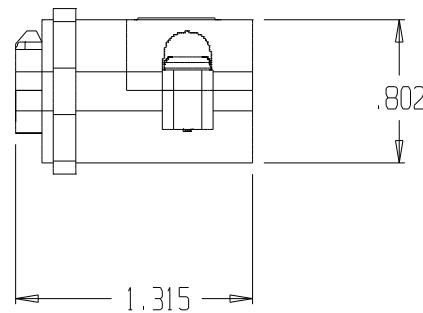
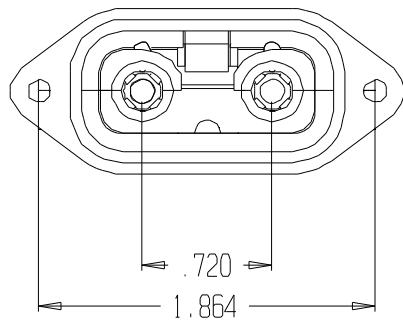


UL RECOGNIZED RECEPTACLE
 POLARIZED FOR 48 VOLTS AND
 45 AMPS FOR 10 GA WIRE FOR
 USE ON INFORMATION
 TECHNOLOGY EQUIPMENT.



CONTACT CAT NO BS1014



CAD FILE NO: 2000100968

UNLESS OTHERWISE SPECIFIED DIMENSIONS
 ARE IN INCHES. (MM) TOLERANCES ARE
 FRACTIONS DECIMALS ANGLES



W. T. STOREY INC.
 DALMATIA, PA.

REVISIONS				MATERIAL		PART NAME:	
				00	+0.25	[.00] ± .01	PANEL MOUNT CONNECTOR
				00D	+0.127	[.000] ± .005 [.0000] ± .0005	
				HEAT TREAT		SCALE: 1-1	SIZE: A
				LEXAN 94D		DRAWN BY: D.J.G.	
				PART NO. 48PC45LS		DATE: 10-16-2000	ISSUE
				DWG. NO. 2000100968		© 2000	FILE:
REV	DESCRIPTION	DATE	APPROVED	00 NOT SCALE DRAWING			