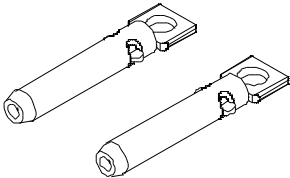
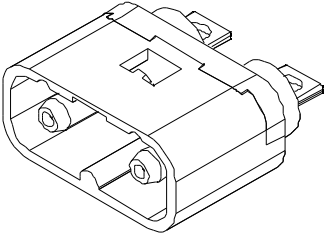
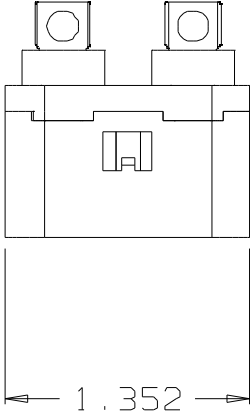
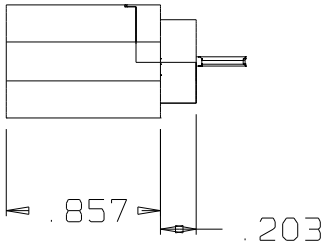
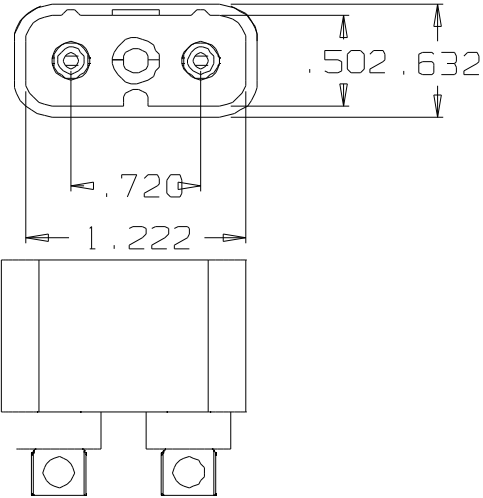


UL RECOGNIZED PLUG  
 POLARIZED FOR 48 VOLT AND  
 45 AMP CONTACTS FOR SOLDERED  
 WIRE FOR USE ON INFORMATION  
 TECHNOLOGY EQUIPMENT.



CONTACT CAT. NO. CCP36



CAD FILE NO: 2000100911

UNLESS OTHERWISE SPECIFIED DIMENSIONS  
 ARE IN INCHES, (MM) TOLERANCES ARE  
 FRACTIONS DECIMALS ANGLES



W. T. STOREY INC.  
 DALMATIA, PA.

REVISIONS			
REV	DESCRIPTION	DATE	APPROVED

00	+0.25	[.00]	± .01
000	+0.127	[.000]	± .005
		[.0000]	+ .0005
MATERIAL		HEAT TREAT	
LEXAN 940			
PART NO.	48CP45		
DWG. NO.	2000100911		
00 NOT SCALE DRAWING			

PART NAME: PANEL MOUNT CONNECTOR	
SCALE: 1-1	SIZE: A
DRAWN BY: W. H. S.	
DATE: 4-28-99	ISSUE
©2000	FILE: